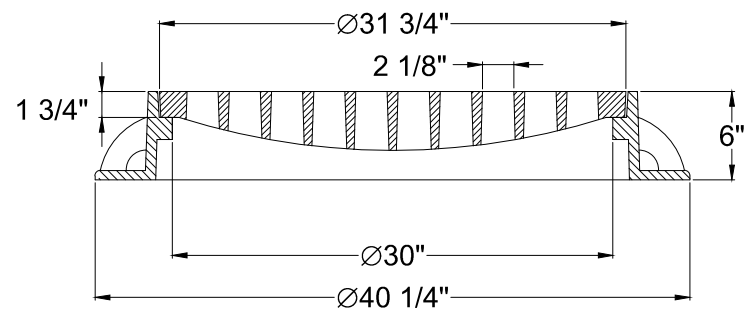


PLAN



SECTION A-A

NOTES : 1. RING & COVER MACHINED TO ASSURE NON ROCKING FIT. 2. WATER PASS AREA ~ 320 SQ. INCH.		JOHN E. POTENTE & SONS INC. 114 WOODBURY RD HICKSVILLE, NY 11801 516-935-8585	
MATERIAL : Cast Iron ASTM A48 , CLASS 30B.		6 X 32 RING AND COVER - GRATE	
DOCUMENT APPROVED BY : DATE :		MODEL NO. ARND632G	LOAD RATING H - 20
DWNG DATE : 05/12/2016 CHKD DATE : 05/12/2016		REVISION 1 - DATE	REV
TOLERANCE XX ±0.1 XXX ±0.06 XXXX ±0.030 < ±2 DEG		REVISION 2 - DATE	