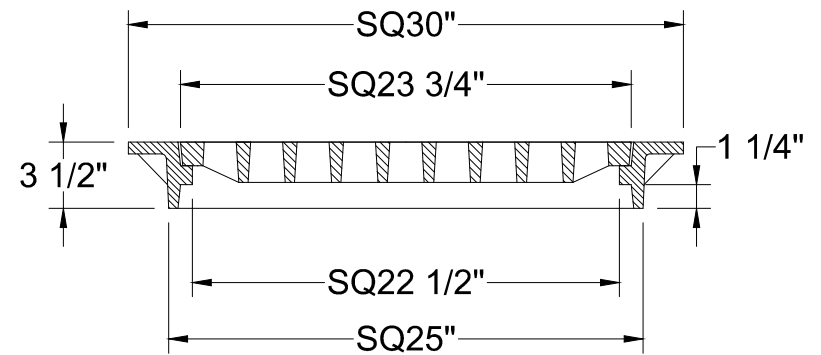


PLAN

Ø1" CRATE HOLE
(4 PLCS)



SECTION C-C

NOTES :

1. WATER PASS AREA ~ 248 SQ. INCH.
2. REVERSIBLE FRAME.

JOHN E. POTENTE & SONS, INC.

HICKSVILLE, NY 11801, USA
 TEL: 516-935-8585, FAX: (516) 935-8546
 www.johnepotente.com

3 1/2" X 24" X 24" FRAME & GRATE - JOHN E. POTENTE & SONS

MATERIAL : Cast Iron ASTM A48 , CLASS 30B.

MODEL NO.

ARVS2424BPG - JOHN E.

DOCUMENT APPROVED

DWNG DATE : 05/12/2016

TOLERANCE

XX ±0.1
 XXX ±0.06
 XXXX ±0.030
 < ±2 DEG

LOAD RATING

H - 20

BY :

DATE :

CHKD DATE : 05/12/2016

REVISION 1 - DATE

REVISION 2 - DATE

REV