

# JOHN E. POTENTE & SONS, INC.

114 WOODBURY ROAD HICKSVILLE, N.Y. 11801  
 PHONE (516) 935-8585 • FAX (516) 935-8546

ITEM NO: TYPE B3-6 DIST. BOX

DWG. NO: 000914

PAT NOS:

MAT. AS NOTED:

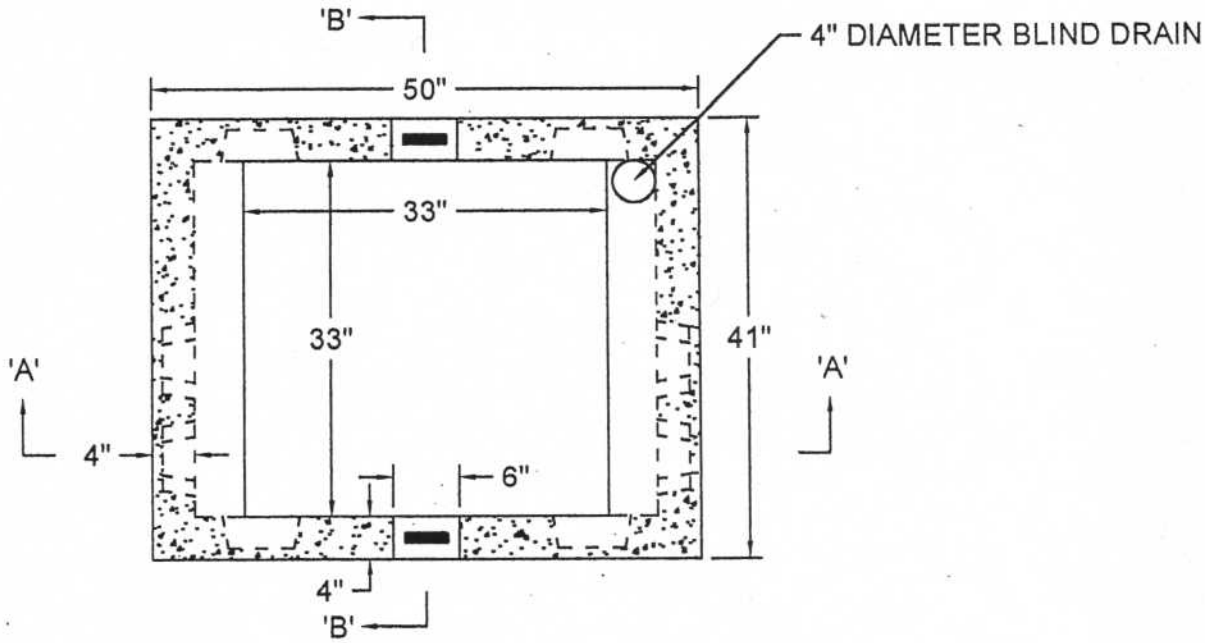
WT.

DR

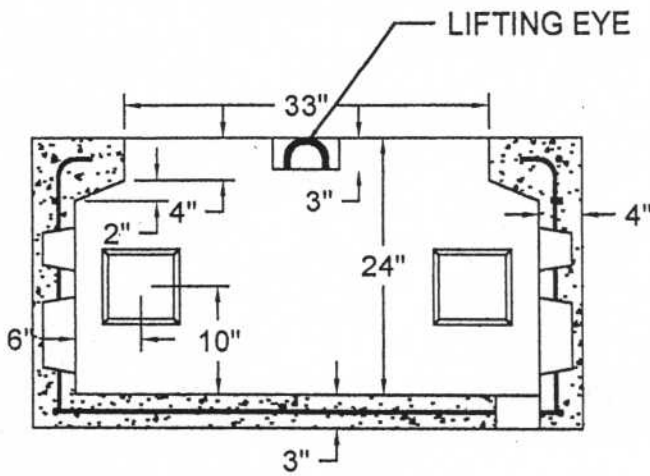
DR. BY: P. FOREMAN

DATE: 09/14/00

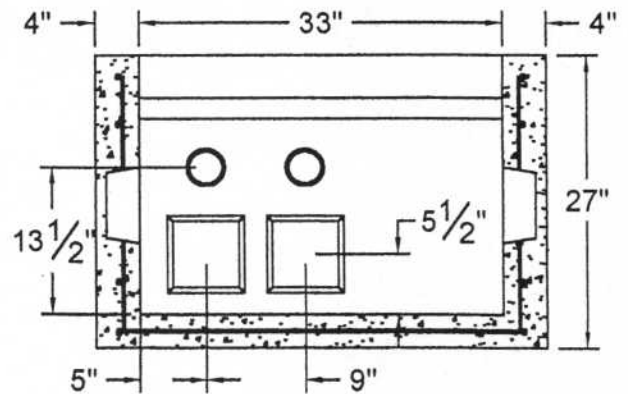
CK



PLAN VIEW



SECTION 'A - A'



SECTION 'B - B'

- NOTES: 1) MATERIAL: 3,500 PSI CONCRETE @ 28 DAYS.  
 2) ALL REBAR SHALL BE #4.  
 3) ALL WALLS SHALL BE 4".