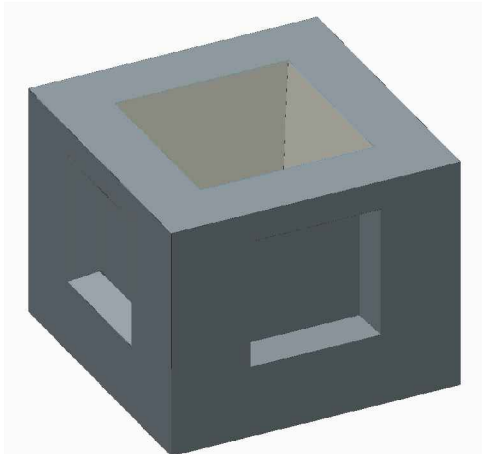


END VIEW



NOTES :  
 1. SPECIFICATIONS : 4,000 PSI @ 28 DAYS  
 2. REINFORCED BY WELDED WIRE MESH.

**JOHN E. POTENTE & SONS**  
 114 WOODBURY RD.  
 HICKSVILLE, NY 11801  
 516-935-8585

18 X 18 GUTTER BOX

MATERIAL : ASTM A-615 . GRADE 60 REINFORCEMENT.

MODEL NO.

DOCUMENT APPROVED

DWNG DATE : 31/08/2017

TOLERANCE

LOAD RATING

H - 20

BY :            DATE :

CHKD DATE :

REVISION 1 - DATE

REV

REVISION 2 - DATE