

# JOHN E. POTENTE & SONS, INC.

114 WOODBURY ROAD HICKSVILLE, N.Y. 11801  
PHONE (516) 935-8585 • FAX (516) 935-8546

ITEM NO:

DWG. NO:

000531

PAT NOS:

MAT. AS NOTED:

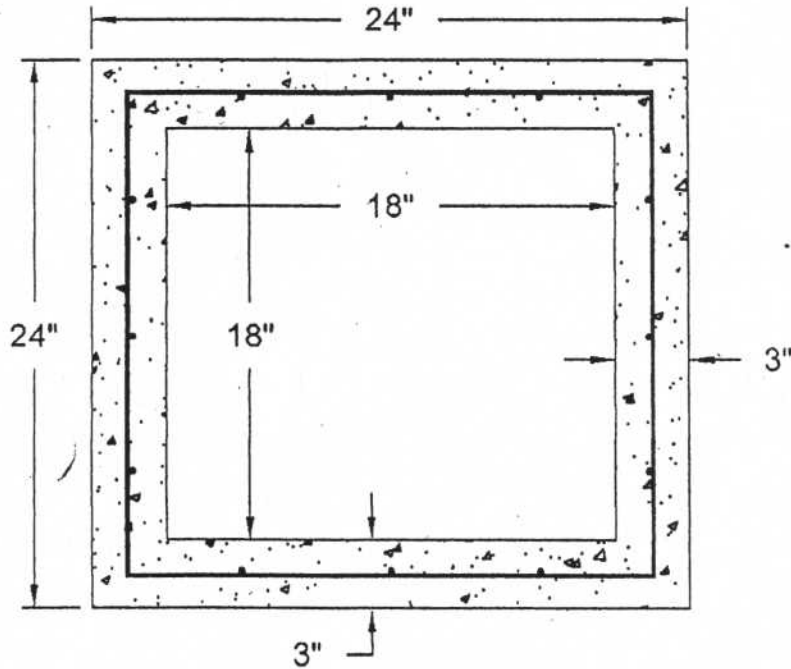
WT.

DR

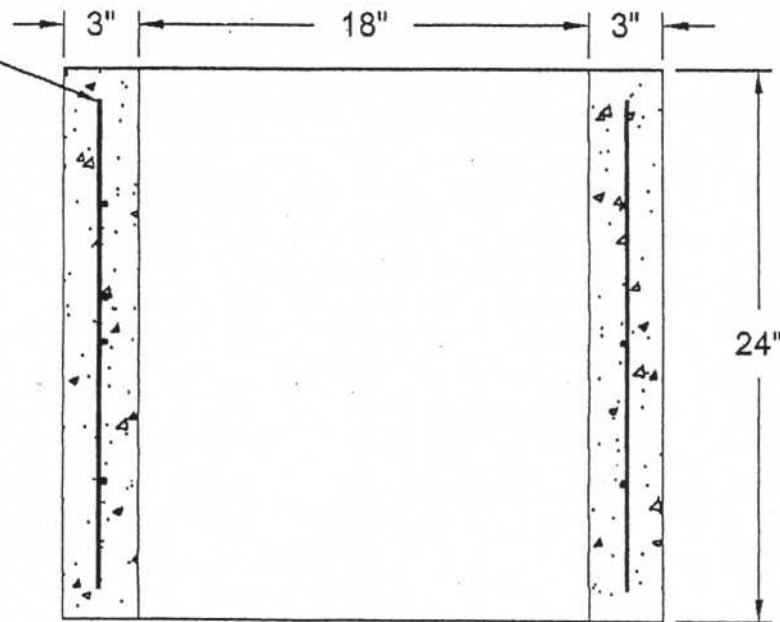
DR. BY:

DATE:

CK



6" X 6" WIRE  
MESH GRID



CONCRETE TO  
OBTAIN 3,000 PSI  
AFTER 28 DAYS