

JOHN E. POTENTE & SONS, INC.

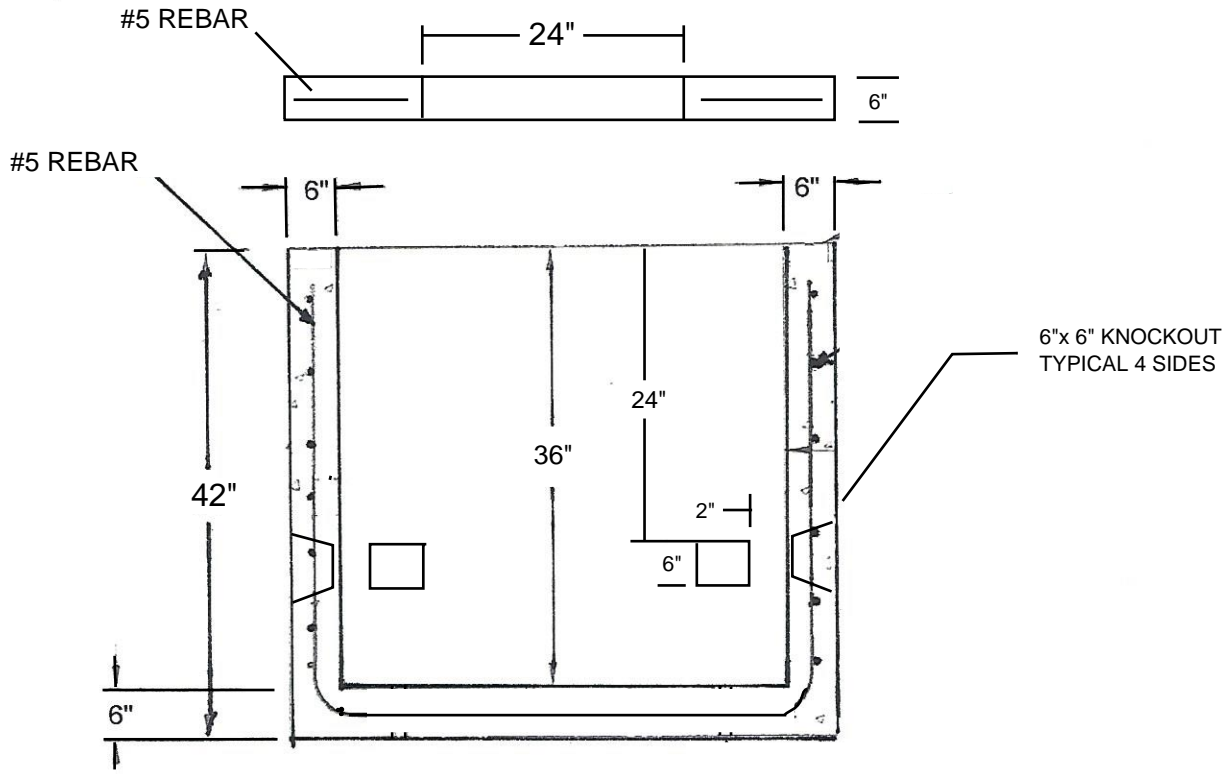
114 WOODBURY ROAD HICKSVILLE, N.Y. 11801
PHONE (516) 935-8585 • FAX (516) 935-8546

ITEM NO: CB 3x3x3 B

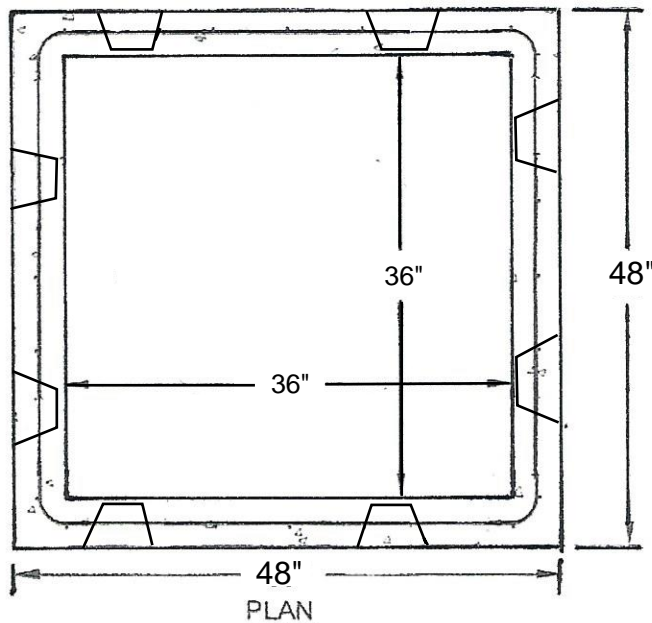
DWG. NO:

ELECTRICAL HANDHOLE

PAT NOS:	MAT. AS NOTED:	WT. 5,550LBS	DR
	DR. BY:	DATE: 11/7/18	CK



SECTION 'A - A'



ALL CONCRETE SHALL BE
STONE CONCRETE (MIN
145 PCF) AND SHALL
HAVE A MIN.
COMPRESSIVE
STRENGTH OF 4,000 PSI
AT 28 DAYS.