

JOHN E. POTENTE & SONS INC.

114 WOODBURY ROAD HICKSVILLE, N.Y. 11801
PHONE (516) 935-8585 • FAX (516) 935-8546

ITEM NO. CEx1

DWG. NO.

CONCRETE : 24"x 12" Round Vault

PAT NOS:

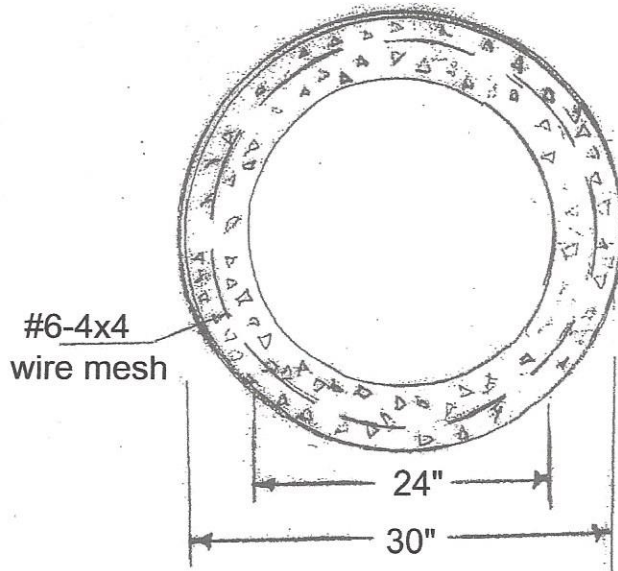
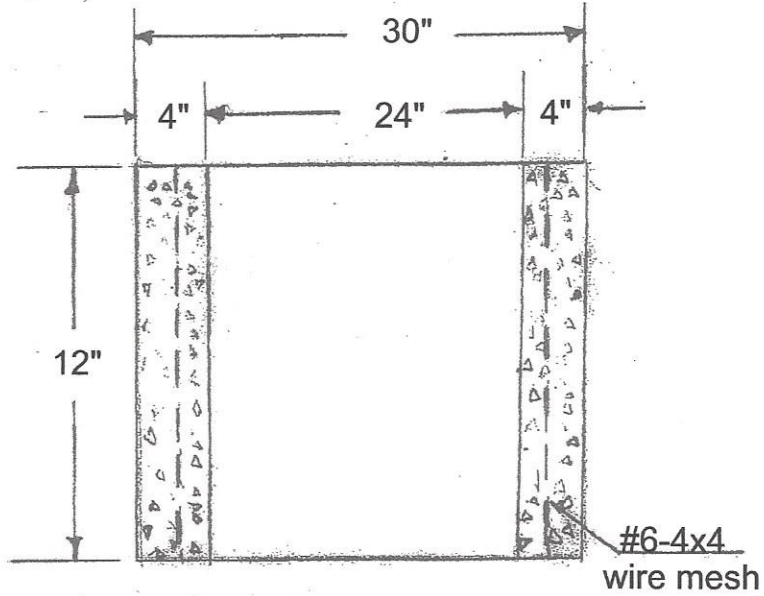
MAT. AS NOTED

WT. 232 lbs

DR TCL

DATE 1/10/2014

CK



2. CONCRETE TO ATTAIN 3000 PSI BY 28 DAYS.