

JOHN E. POTENTE & SONS INC.

114 WOODBURY ROAD HICKSVILLE, N.Y. 11801
PHONE (516) 935-8585 * FAX (516) 935-8548

ITEM NO. CEx3

DWG. NO.

CONCRETE EXTENSIONS

PAT NOS:

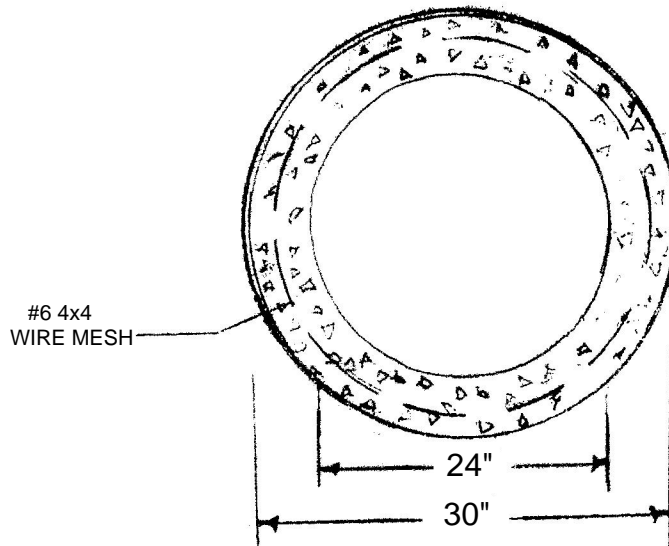
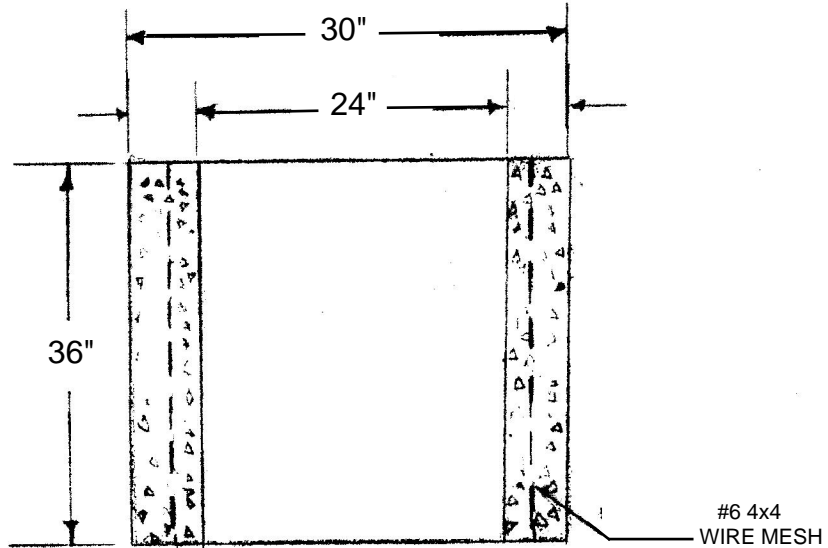
MAT. AS NOTED

WT.

DR TCL

DATE

CK



NOTES: CONCRETE TO ATTAIN 4,000 PSI BY 28 DAYS