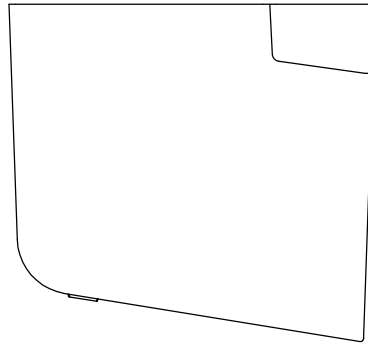
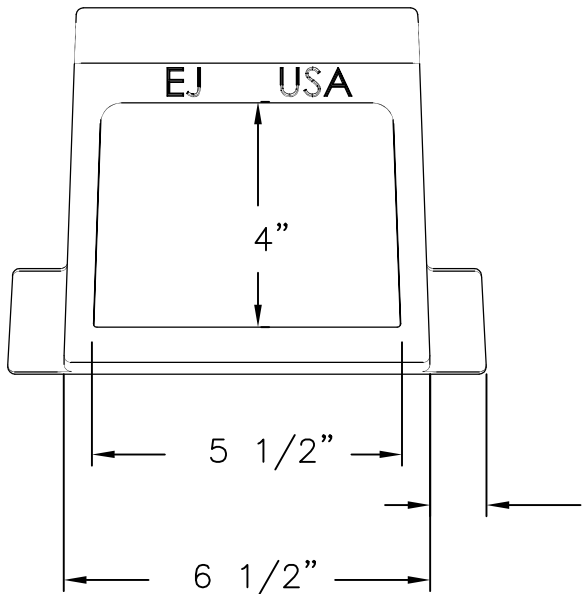


TOP VIEW

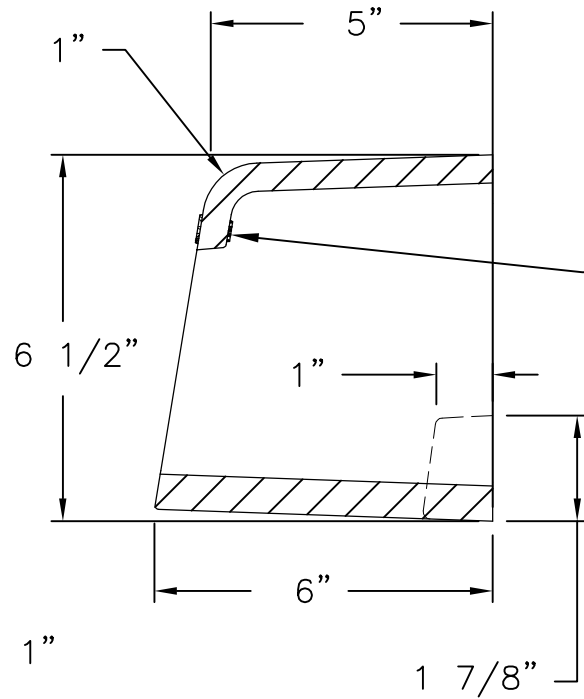


SIDE VIEW

- Materials
Gray Iron (CL35B)
- Design Load
Heavy Duty
- Open Area
n/a
- Coating
Undipped
- √ Designates Machined Surface



FRONT VIEW



SECTION

ASTM A48 CL35B
 JULIAN DATE
 FOUNDRY ID.
 PROD NO.
 SERIES

Certification

- ASTM A48
-
-
- Country of Origin:USA