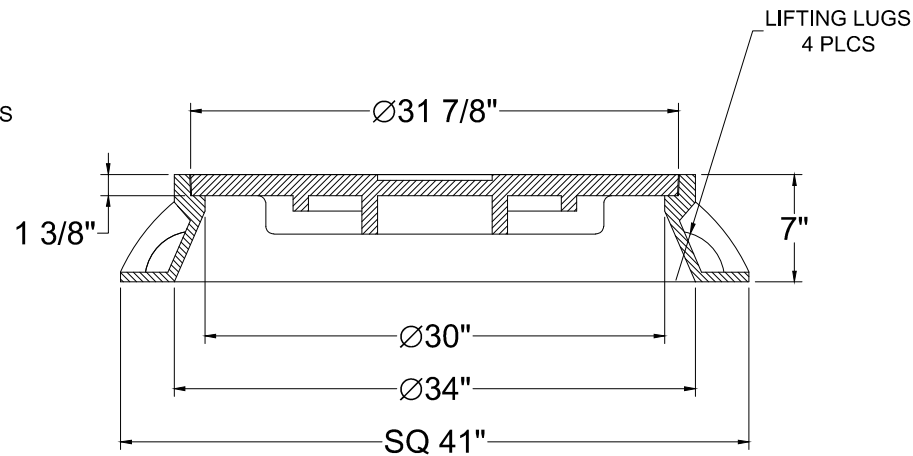
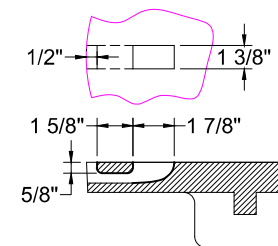


PLAN



SECTION A-A



PICK HOLE DETAILS

NOTES :

1. RING & COVER MACHINED TO ASSURE NON ROCKING FIT.
2. UNPAINTED.

JOHN E. POTENTE & SONS, INC.

HICKSVILLE, NY 11801, USA
 TEL: 516-935-8585, FAX: (516) 935-8546
 www.johnpotente.com

Q8 RING & COVER - COMMUNICATION (JOHN E. POTENTE)

MATERIAL : Cast Iron ASTM A48 , CLASS 30B.

MODEL NO.

ARNDQ8C - JOHN E.

DOCUMENT APPROVED

DWNG DATE : 05/12/2016

TOLERANCE

XX ±0.1
 XXX ±0.06
 XXXX ±0.030
 < ±2 DEG

LOAD RATING

H - 20

BY :

DATE :

CHKD DATE : 05/12/2016

REVISION 1 - DATE

REV

REVISION 2 - DATE