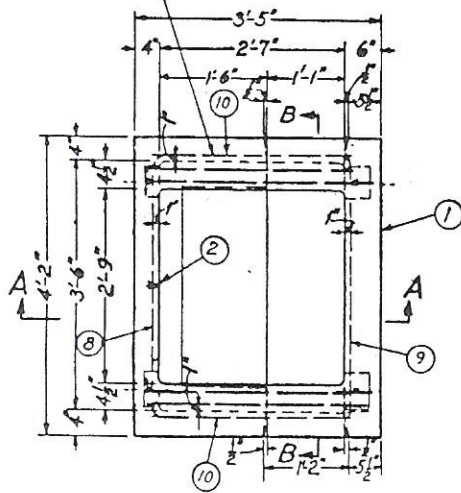
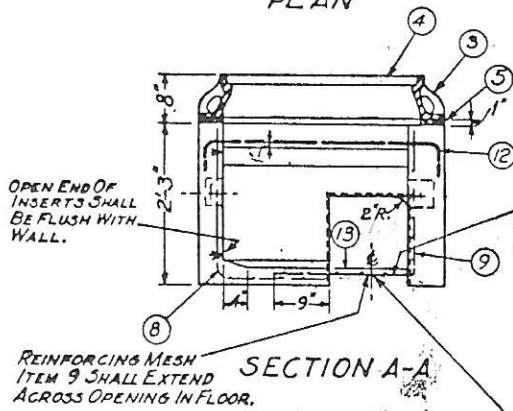


OVERLAP MESH OF FLOOR UP 8" ON 4 SIDES, EXCEPT AT 1'-X-12" OPENINGS IN END WALLS.



PLAN



SECTION A-A

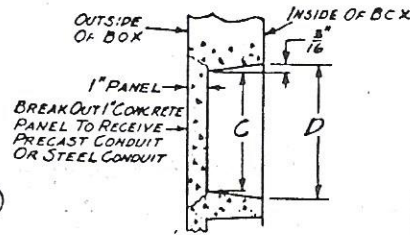
OPEN END OF INSERTS SHALL BE FLUSH WITH WALL.

REINFORCING MESH ITEM 9 SHALL EXTEND ACROSS OPENING IN FLOOR.

MANUFACTURER OF BOX TO SPAN OPENING WITH WIRE MESH AS SHOWN.

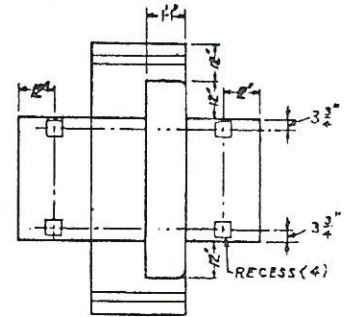
CLOSING VOID IN FLOOR UNDER DUCTS

WIRE MESH REINFORCING TO BE CUT (CENTER OF FLOOR OPENING) IN FIELD AND BENT UP DURING INSTALLATION OVER DUCTS. RESTORE WIRE MESH REINFORCING ACROSS FLOOR OPENING AFTER INSTALLATION OF BOX AND LAY (A) - 1/2" DIA. BARS 12" LONG, ITEM 13' EQUALLY SPACED ON TOP OF WIRE MESH AND PRIOR TO COMPLETION OF FLOOR.

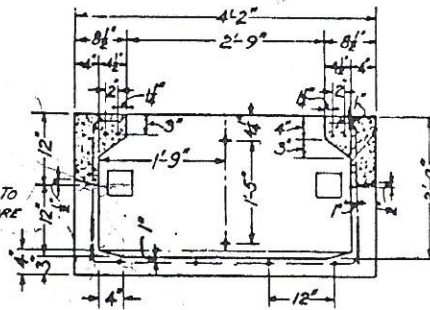


TYPICAL RECESS FOR CONDUIT

DIMENSION - INCHES		
TYPE DUCT	C	D
4" I.D. PRECAST CONCRETE CONDUIT	6 5/8 SQ.	7 3/4.



EXPLODED VIEW



SECTION B-B

NOTE:  
1. CONCRETE CLASS B2 SHALL BE IN ACCORDANCE WITH LILCO SPEC ME-43

WEIGHT OF REINFORCEMENT 45 LBS.  
TOTAL WEIGHT OF BOX 2070 LBS.

SPECIFICATIONS :-  
REINFORCING BARS SHALL CONFORM TO A.S.T.M. SPEC. A-15 (INTERMEDIATE GRADE BILLET STEEL DEFORMED).  
REINFORCING MESH SHALL CONFORM TO A.S.T.M. SERIAL DES A82-54

REFERENCE DRAWINGS

CS-6502-Manhole Cover  
CS-6512-Manhole Frame

ITEM NO.	LOCATION	NO. REQD.	LENGTH	SHAPE
13	FLOOR	4	12"	STRAIGHT
12	END WALLS	4	4'-7"	5" x 3.5" x 1/2"
1/2" DIA. BARS - SEE NOTE 2				
10	END WALLS	2	2'-9"	2'-5" WIDE
9	FLOOR WALL	1	5'-0"	3'-10" WIDE
8	FLOOR WALL	1	5'-0"	3'-6" WIDE

ITEM NO.	QUANTITY	DESCRIPTION
3	AS REQD.	CEMENT GROUT
4	1	MANHOLE COVER (SEE REF. DWGS.)
3	1	MANHOLE FRAME (SEE REF. DWGS.)
2	2	3/8" INSERTS
1	0.5 CU.YD.	CONCRETE CLASS B2

BILL OF MATERIAL

DRAWN BY	REVISION
E.C.W.	1. 1/22/58-ADDED REF. DWGS.
APPROVED	2. 12/1/60 CHGD: RECESS, ADD DETAIL.
<i>c. Kiel</i>	
DATE	12-6-56

MANHOLES AND BOXES  
TYPE B3-6 SL DISTRIBUTION BOX  
3'-6" X 2'-9" X 2'-0" DEEP  
PRECAST CONCRETE

ECS		
NO	SHEET	REV
6530	1 of 1	2