

JOHN E. POTENTE & SONS, INC.

114 WOODBURY ROAD
PHONE (516) 935-8585

HICKSVILLE, N.Y. 11801
FAX (516) 935-8546

ITEM NO:

DWG. NO:

000601

TS DISTRIBUTION BOX 4'-6" X 3'-6" X 4'-0"

PAT NOS:

MAT. AS NOTED:

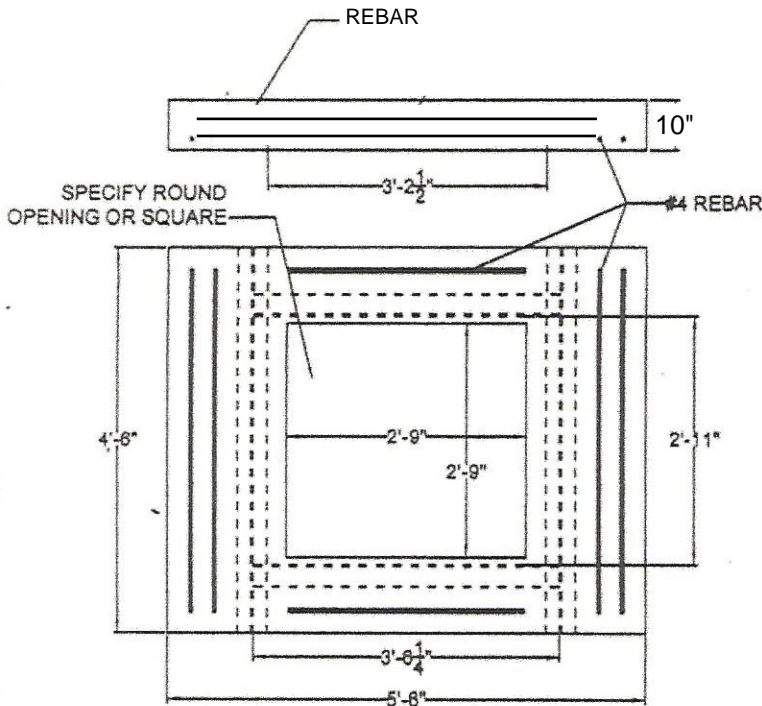
WT.

DR

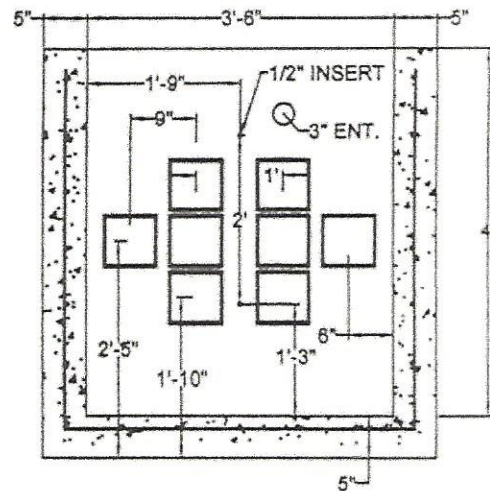
DR. BY: P. FOREMAN

DATE: 06/01/00

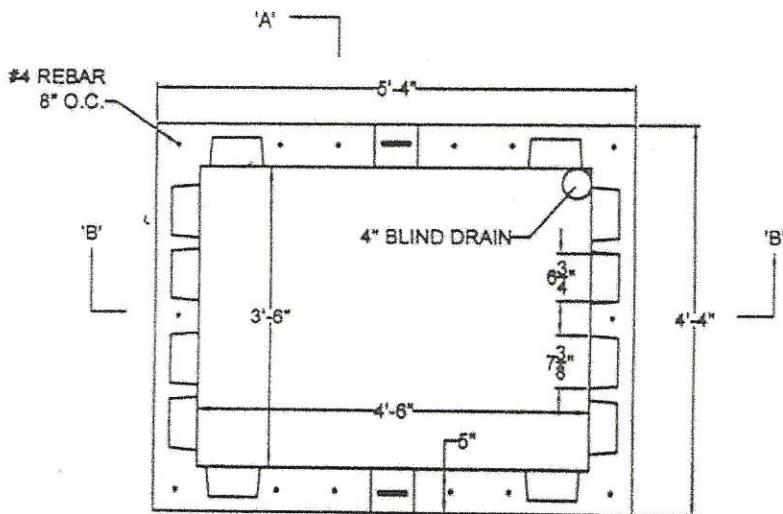
CK



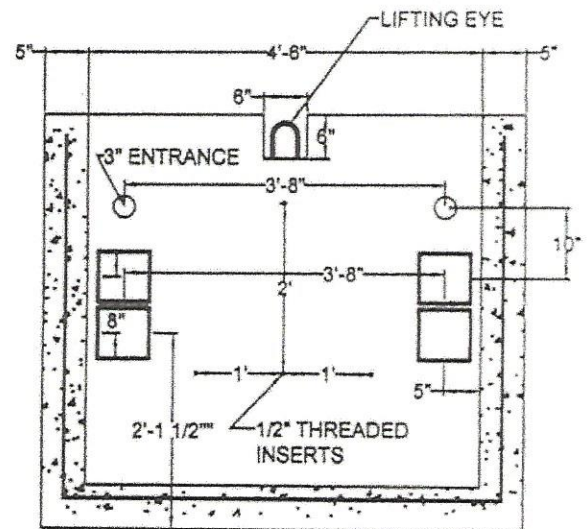
ROOF SLAB



SECTION 'A - A'



PLAN



SECTION 'B - B'

NOTES: 1) MATERIAL: 3,500 PSI CONCRETE @ 28 DAYS.
2) ALL REBAR SHALL BE #4, 8" O.C.